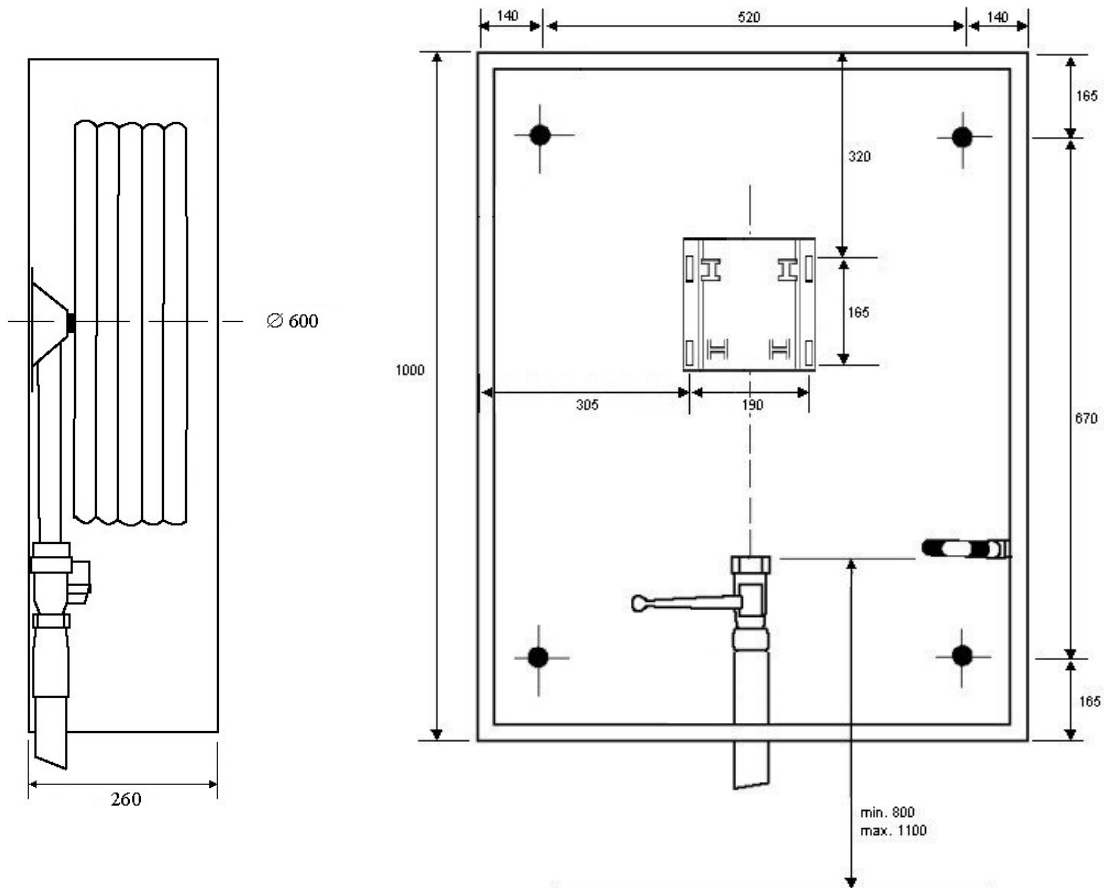


Reel cupboard for fixed wall reel

Standard cupboard (both for building-in and wall-mounting) for the manual fixed wall reel.



This cupboard is made in sheet steel of 1 mm thick. The door, in sheet steel of 1.5 mm, turns on two hinges with pivoting pins and casing wear rings in messing and closes with a recessed lock. The whole is enamelled in a RAL3000 red

In the cupboard, a wall plate is fixed for the hose role, enabling a rapid reel mounting; it concerns a simple click system with no drilling and/or screws and without having to dismount the reeling drum.

Code Somati	Reel		Flange diameter of reel \varnothing	Dimensions of the cupboard in mm H x W x D
	19 mm	25 mm		
115000	20		$\varnothing 600 \times 140$	1000 x 800 x 260
115000		30	$\varnothing 600 \times 230$	1000 x 800 x 260



PROTECTING TODAY'S FUTURE

